

Alignment aids

Part no.	Part description
50109545	SAT 5

/// SLSR 25B



The SLSR 25B protective sensor scores with its optimized light beam propagation (opening angle) with time-saving alignment. In combination with a safety-relevant control system (testing according to EN IEC 61496-1), it forms a category 2 contactless protective device and works with a range of up to 22 m.



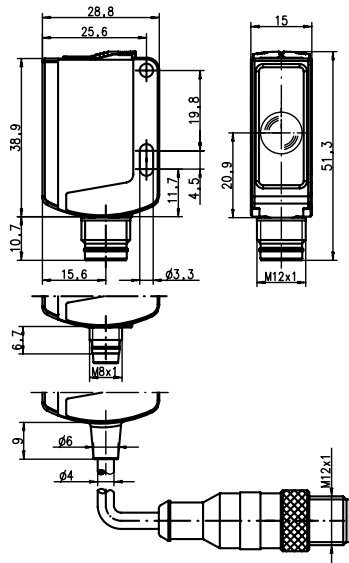
Benefits:

- Single light beam safety device with visible red light and high function reserve
- Solid plastic housing, degree of protection IP 67 for industrial application
- Wide voltage range from 10 to 30 V with pnp transistor output for PLC applications
- All common connection variants

Part no.	Part description	Operating range	Connection	Light source	Design
50108491	► SLSR 25B.8	0 ... 20 m	Cable, 4-wire, 2,000 mm, PUR	LED, red	Activation input
50108494	◄ SLSR 25B/66		Cable, 4-wire, 2,000 mm, PUR		
50110151	► SLSR 25B.8,200-S12	0 ... 20 m	Cable with connector, M12, 4-pin, metal, 200 mm, PUR	LED, red	Activation input
50110152	◄ SLSR 25B/66,200-S12		Cable with connector, M12, 4-pin, metal, 200 mm, PUR		
50108490	► SLSR 25B.8-S8	0 ... 20 m	Connector, M8, 4-pin, plastic	LED, red	Activation input
50108493	◄ SLSR 25B/66-S8		Connector, M8, 4-pin, plastic		
50108489	► SLSR 25B.8-S12	0 ... 20 m	Connector, M12, 4-pin, plastic	LED, red	Activation input
50108492	◄ SLSR 25B/66-S12		Connector, M12, 4-pin, plastic		

► transmitter / ◄ receiver

Dimensioned drawings: SLSR 25B



SLSR 25B single light beam safety device

ACCESSORIES: SLSR 25B

Connection technology

Connection cables

Part no.	Part description	Connection 1	No. of pins	Cable length	Sheathing material
50130654	KD U-M12-4A-P1-020	Connector, M12, axial, female	4-pin	2,000 mm	PUR
50130657	KD U-M12-4A-P1-050	Connector, M12, axial, female	4-pin	5,000 mm	PUR
50130658	KD U-M12-4A-P1-100	Connector, M12, axial, female	4-pin	10,000 mm	PUR
50130854	KD U-M8-4A-P1-020	Connector, M8, axial, female	4-pin	2,000 mm	PUR
50130856	KD U-M8-4A-P1-050	Connector, M8, axial, female	4-pin	5,000 mm	PUR
50130857	KD U-M8-4A-P1-100	Connector, M8, axial, female	4-pin	10,000 mm	PUR

Further connection cables can be found on our website

Mounting systems

Mounting brackets

Part no.	Part description	Design	Fastening at device	Fastening at system	Material
50040269	BT 25	Angle, L-shape	Screw type	Through-hole mounting	Metal
50124651	BT 205M	Angle, L-shape	Screw type	Through-hole mounting	Metal

Further mounting brackets can be found on our website

Rod mounts

Part no.	Part description	Design	Fastening at device	Fastening at system	Material
50117830	BTP 200M-D10	Protection hood, clampable, adjustable, turning, 360 °	Screw type	For 10 mm rod	Metal
50117829	BTP 200M-D12	Protection hood, clampable, adjustable, turning, 360 °	Screw type	For 12 mm rod	Metal
50117828	BTP 200M-D14	Protection hood, clampable, adjustable, turning, 360 °	Screw type	For 14 mm rod	Metal
50117256	BTU 200M-D10	Mounting system, clampable, adjustable, turning, 360 °	Screw type	For 10 mm rod, sheet-metal mounting	Metal
50117255	BTU 200M-D12	Mounting system, clampable, adjustable, turning, 360 °	Screw type	For 12 mm rod, sheet-metal mounting	Metal
50117254	BTU 200M-D14	Mounting system, clampable, adjustable, turning, 360 °	Screw type	For 14 mm rod, sheet-metal mounting	Metal
50122797	BTU 346M-D12	Mounting system, turning, 360 °, clampable, adjustable	Screw type	For 12 mm rod, sheet-metal mounting	Metal

Further rod mounts can be found on our website

Alignment aids

Part no.	Part description
50109545	SAT 5